

**CHARACTERISTICS**



**2RH, 2RHL**



**2RHF**

**Anti Rotation SPRING COUPLING FOR ENCODER  
TYPE 2RH / 2RHF / 2RHL**

For use as a spring coupling or flange

Material: 0,5mm - AISI 301 ( *Inox spring steel* )

Torsionally stiff spring coupling

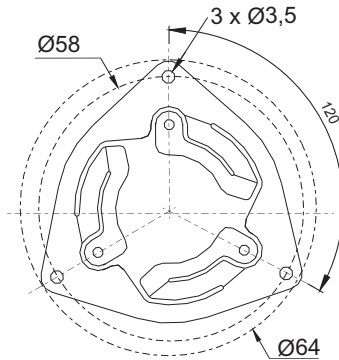
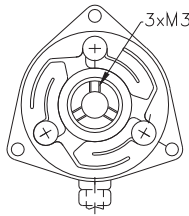
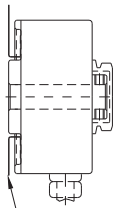
Max. Movement axial  $\pm 0,5$

Max. Movement radial  $\pm 0,2$

**MECHANICAL DIMENSIONS; 3 Point Coupling**

**Part No. 80126109**

**3 Point Coupling**

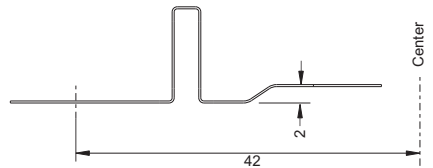
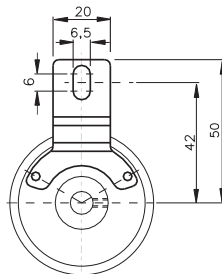
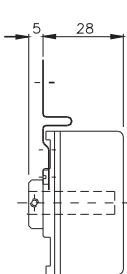


Torsionally stiff spring coupling  
Max. movement axial  $\pm 0,25$   
Max. movement radial  $\pm 0,05$

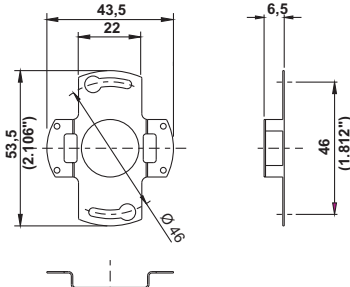
**MECHANICAL DIMENSIONS; Y-Coupling**

**Part No. 80146636**

**Y-Coupling**



**Part no.: 80149453**

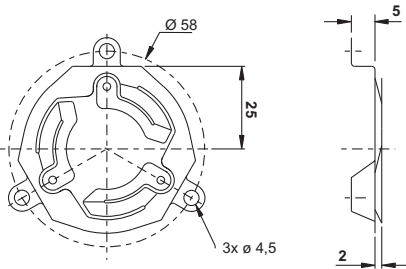


**Part for encoder SCH50**

**Ask for drawing**

**Material: 0,3mm Aisi 301**

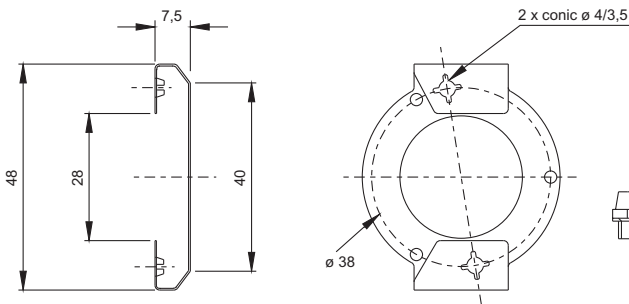
**Part no.: 80149491**



**Part for encoder 2RH, 2RHF, 2RHL**

**Material 0,25mm - Aisi 301**

**Part no.: 80148120**



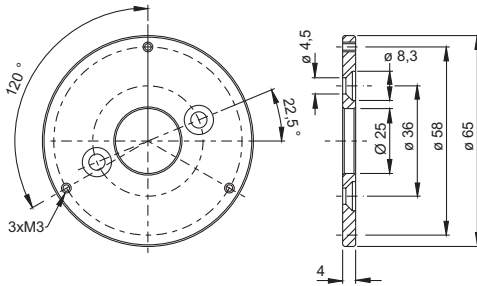
**Part for encoder:  
2RH, 2RHF, 2RHL**

**Material 0,3mm - Aisi 301**



Special mounting screw for motor  
Ask for drawing

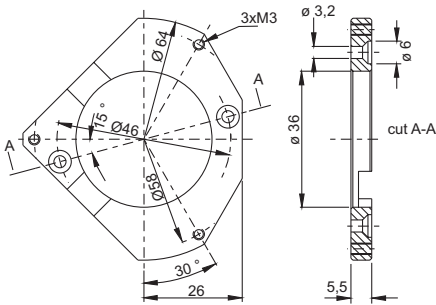
**Part no.: 80148439**



**Plate for motor with  
encoder 2RH, 2RHF, 2RHL**

Use spring coupling: 80126109

**Part no.: 80149255**

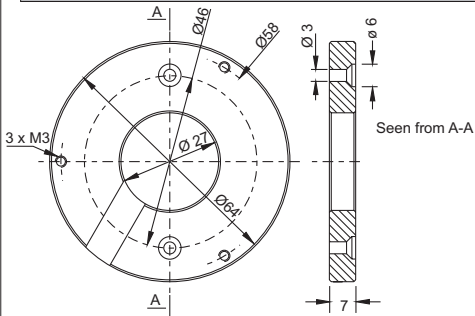


**Plate for motor with  
encoder 2RH, 2RHF, 2RHL**

Use spring coupling: 80126109

**No longer in stock**

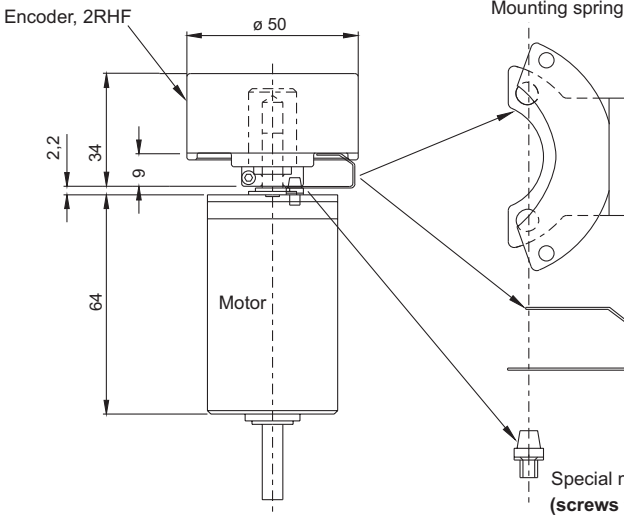
**Part no.: 80148267**



**Plate for motor with  
encoder 2RH, 2RHF, 2RHL**

Use spring coupling: 80126109

**Part no.: 80148120**



**Spring for motor:**

Faulhaber

-Minimotor, Series 3863 .. C

PAVEX-Motor

**Fits with encoder 2RHF**

With clampbushing

No plate needed

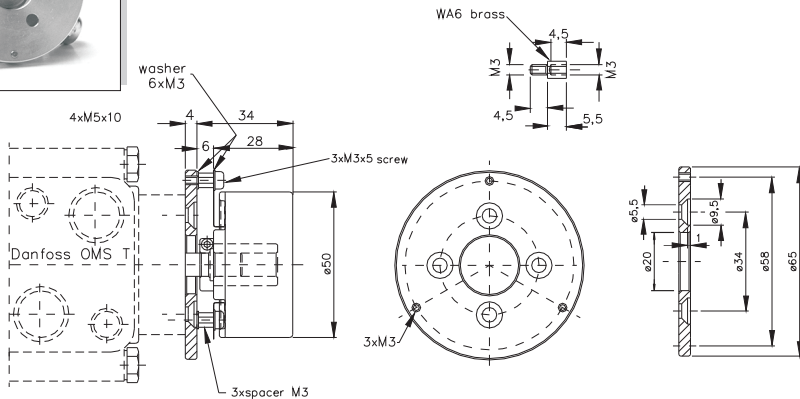
**Part no.: 80147363**



**Flange type : Danfoss Hydraulic motor.**

**For encoder type : 2RHF**

**Use spring coupling: 80126109**



**CHARACTERISTICS**



**Anti Rotation SPRING COUPLING FOR ENCODER TYPE 2RHI**

For use as a spring coupling or flange

Material: 0,5mm - AISI 301 ( *Inox spring steel* )

Torsionally stiff spring coupling

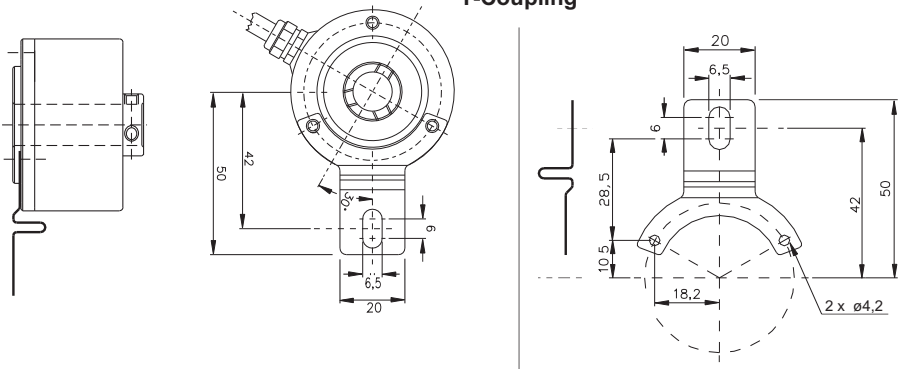
Max. Movement axial  $\pm 0,5$

Max. Movement radial  $\pm 0,2$

**MECHANICAL DIMENSIONS; Y-Coupling**

**Part Nr. 80147042**

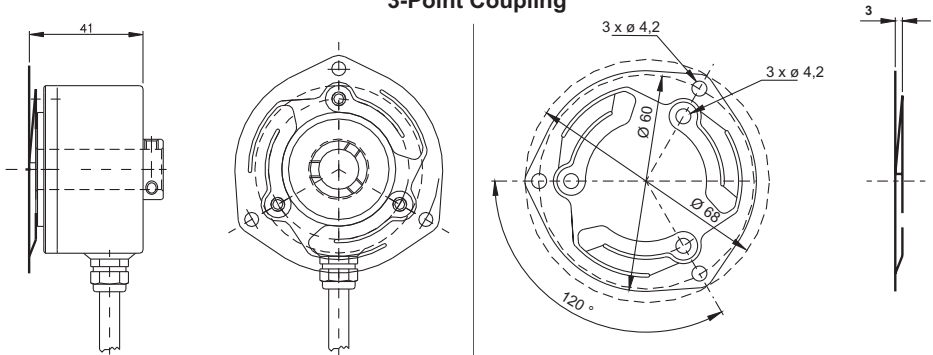
**Y-Coupling**



**MECHANICAL DIMENSIONS; 3-Point Coupling**

**Part no.: 80149764**

**3-Point Coupling**



**CHARACTERISTICS**



**2RHIF**



**2RHIB**



**2RHIF-SR**

**SPRING COUPLING FOR ENCODER  
TYPE 2RHIF, 2RHIB, 2RHIF-SR**

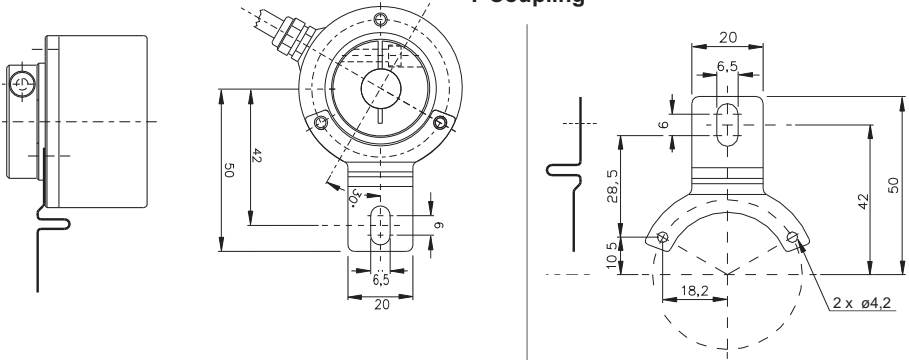
For use as a spring coupling or flange

Material : 0,5mm - AISI 301 ( *Inox spring steel* )

**MECHANICAL DIMENSIONS; Y-Coupling**

**Part no.: 80147042**

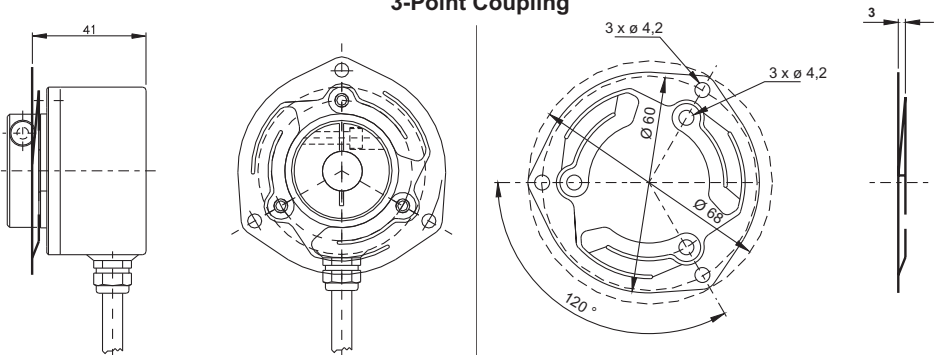
**Y-Coupling**



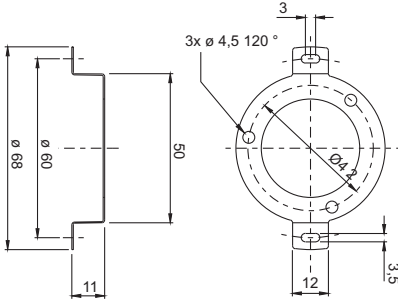
**MECHANICAL DIMENSIONS; 3-Point Coupling**

**Part no.: 80149764**

**3-Point Coupling**



**Part no.: 80149662**

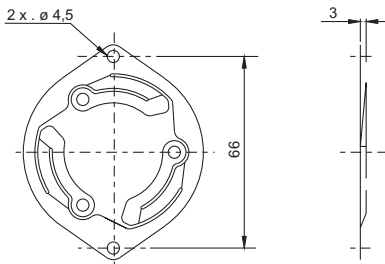


**Part for encoder:**

**2RHI, 2RHIF, 2RHIB, 2RHIF-SR**

**Material: 0,3mm Aisi301**

**Part no.: 80149823**

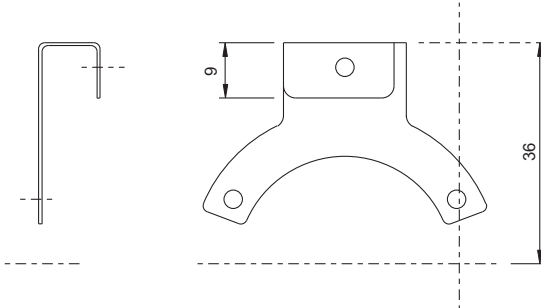


**Part for encoder:**

**2RHI, 2RHIF, 2RHIB, 2RHIF-SR**

**Material 0,5 Aisi 301**

**Part no.: 80148017**



**Part for encoder: 2RHI  
2RHIF, 2RHIB, 2RHIF-SR**

**Material 0,3mm -Aisi 301**



Special mounting screw for motor  
Ask for drawing

Part no.: 80148426

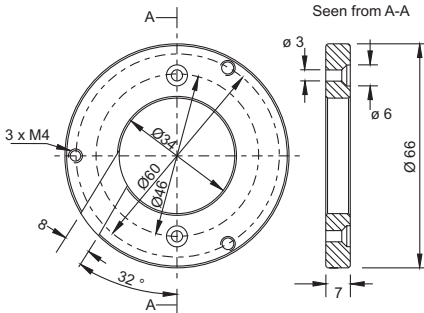


Plate for motor with encoder:  
2RHI, 2RHIF, 2RHIB, 2RHIF-SR

Use spring coupling: 80149764

Part no.: 80137008



Use with encoder:  
2RHI, 2RHIF, 2RHIB

